

# TECHNICAL DATASHEET



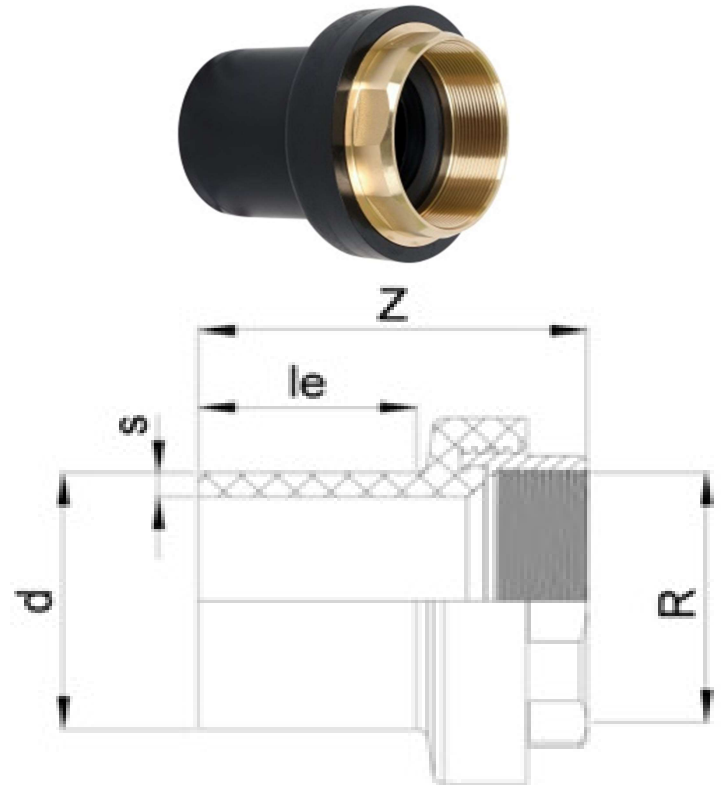
## TRANSITION ADAPTOR PE-BRASS

03 Update - 06/2023

### TECHNICAL DATA

Article No	001 117 6206 0040
d (mm)	40
R (inch)	1¼"
le (mm)	52
Z (mm)	111
s (mm)	3,7
Weight (Kg)	0,270
Box Quantity (pcs)	35
Box Dimension (pcs)	31x24x16,5

### INJECTION MOULDED



### IDENTIFICATION OF PRODUCT

D	40x1¼"
PN	16
RAW METARIAL	PE 100
PRESSURE CLASS	16 Bar Water 10 Bar Gas
TRADEMARK	NTG
EXECUTION	Injection Moulded
STANDARD	DVGW G5600-1 DVGW GW 335 12201-3

### SPECIFICATION

Long Spigot

Tolerance on diameters and thickness according to the standards. The other dimensions are specialized. Tolerance  $\pm 5\%$ . NTG PLASTIK reserves all the right to change any information without giving prior notice. The production, distribution and utilization of this document without explicit authorization is prohibited.